

VORTEX WFF 100



Filter with fine filter (up-to 200 m²)

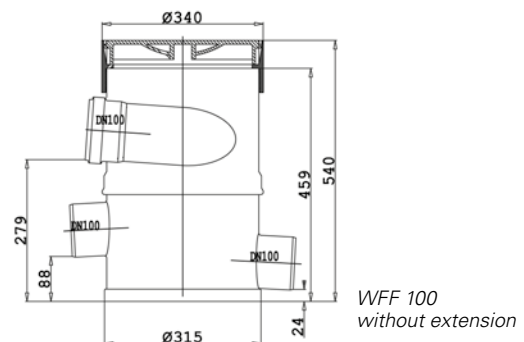
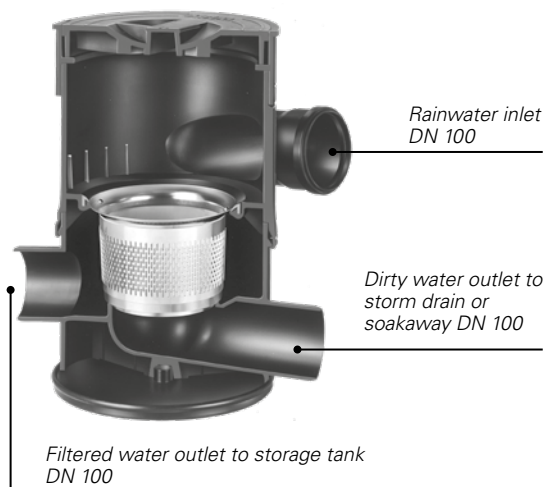


Description

Rainwater filter for installation in horizontal rainwater pipes underground or in the open air (e.g. for industrial applications). Optionally available with 50 cm (1.6 ft.) extension tube for raising the inspection opening to ground level. Freely rotatable rainwater inlet. Tested to German standard ATV: Vehicle-duty capacity up to 30 t. Polypropylene housing (PP). Stainless steel filter insert, low-maintenance. It is recommended to clean the filter insert in the dishwasher. Filter mesh size 0.28 mm (basic version) or 0.44 mm. Drainage safety according to DIN EN 12056 / EN 752, complies with DIN 1989.

Advantages

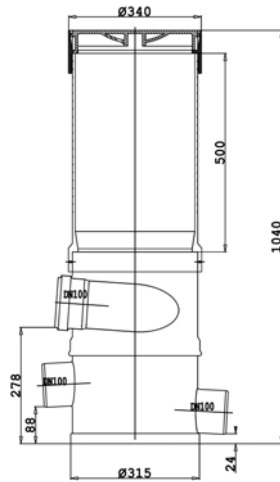
- Guarantees safe drainage
- Separates/filters out all dirt particles
- Oxygen enrichment by vortex action
- Low maintenance requirements
- Excellent water yield



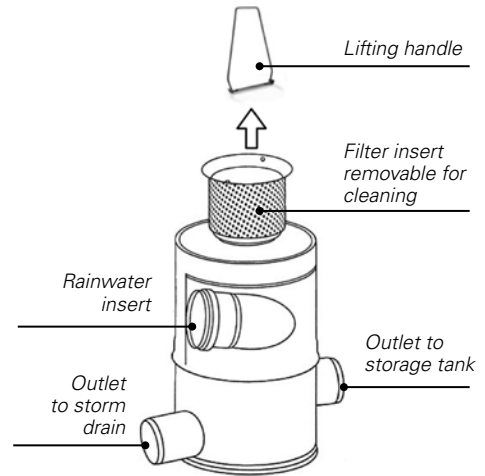
Code	Description	Filter mm
WF 20 11	Filter with pipe extension	0,28
WF 20 12	Filter with pipe extension	0,44
WF 20 02	Filter without pipe extension	0,28
WF 20 01	Filter without pipe extension	0,44



Pipe extension



WFF 100 with extension



Spare parts and accessories



Wall mounting bracket



Wall bracket for concrete rainwater storage tank

Code	Description	
WN 10 02	Housing cover	
ZW 10 00	End ring	
WE 03 05	Filter insert Stainless steel - cm 15,5 H	Filter 0,28 mm
WE 03 06	Filter insert Stainless steel - cm 15,5 H	Filter 0,44 mm
WA 03 01	Stainless steel lifting handle - Standard length cm 30	
WA 03 02	Stainless steel lifting handle Stainless steel - Length cm 63	
WA 03 03	Stainless steel lifting handle Stainless steel - Length cm 100	
WS 20 01	Demonstration model	
BE 03 05	Blind insert made of Stainless steel	
WV 10 10	Additional extension tube length cm 50	
VS 03 04	Filter insert mesh size 1,6 mm	
WH 03 03	Stainless-steel wall-mounting bracket for vertical wall installation	
WH 04 00	Support wall bracket in stainless steel for concrete tanks	

VORTEX fine filter with spirit level (up-to 200 m²)



Vortex fine filter with spirit level for quick, correct installation of the WFF 100 filter.

Filters can be installed perfectly upright with the help of the integrated spirit level. It has a diameter of 11 mm (0.43 in.) and an accuracy of 0.2 degrees.

Code	Description	Filter mm
WF 20 05	Filter with extension tube WITH SPIRIT LEVEL	0,28
WF 20 06	Filter with extension tube WITH SPIRIT LEVEL	0,44
WF 20 03	Filter without extension tube WITH SPIRIT LEVEL	0,28
WF 20 04	Filter without extension tube WITH SPIRIT LEVEL	0,44

VORTEX WFF 150



Filter with fine filter (up-to 500 m²)

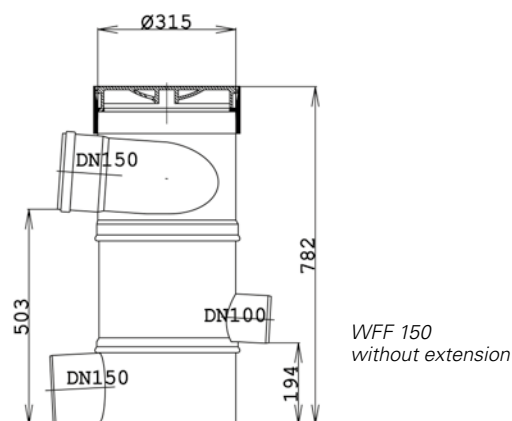
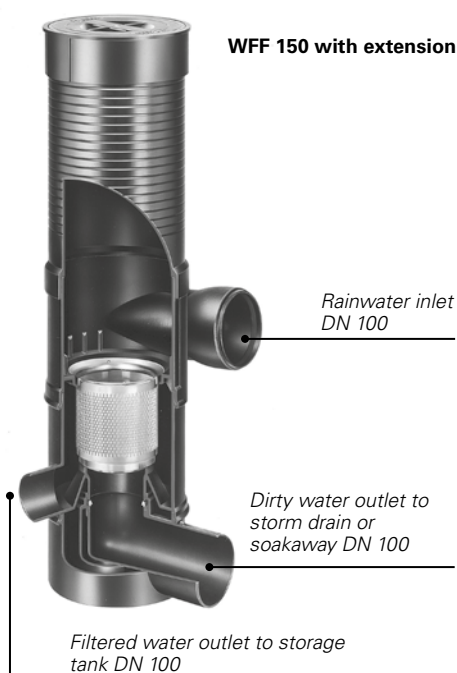


Description

Rainwater filter for installation in horizontal rainwater pipes underground or in the open air (e.g. for industrial applications). Optionally available with 50 cm (1.6 ft.) extension tube for raising the inspection opening to ground level. Freely rotatable rainwater inlet. Tested to German standard ATV: Vehicle-duty capacity up to 30 t. Polypropylene housing (PP). Stainless steel filter insert, low-maintenance. It is recommended to clean the filter insert in the dishwasher. Filter mesh size 0.28 mm (basic version) or 0.44 mm. Drainage safety according to DIN EN 12056 / EN 752, complies with DIN 1989.

Advantages

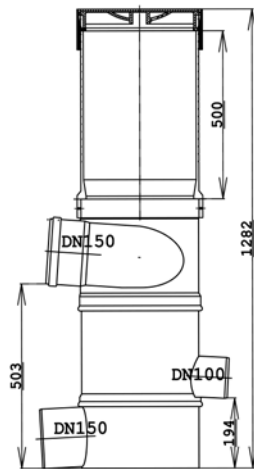
- Guarantees safe drainage
- Separates/filters out all dirt particles
- Oxygen enrichment by vortex action
- Low maintenance requirements
- Excellent water yield



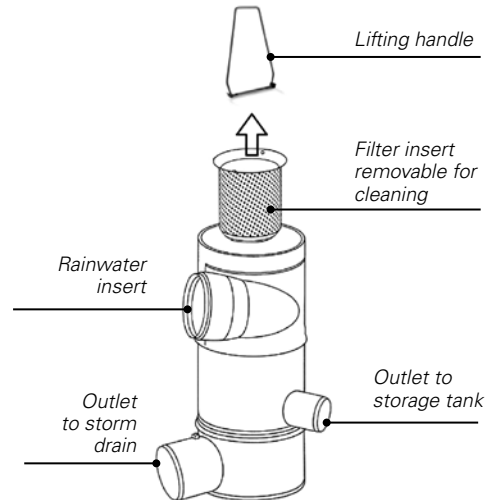
Code	Description	Filter mm
WF 10 11	Filter with pipe extension	0,28
WF 10 12	Filter with pipe extension	0,44
WF 10 02	Filter without pipe extension	0,28
WF 10 01	Filter without pipe extension	0,44



Pipe extension



WFF 150 with extension



Spare parts and accessories



Sostegno a muro



Sostegno a muro serbatoio in calcestruzzo

Code	Description	
WN 10 02	Housing cover	
ZW 10 00	End ring	
WE 03 00	Filter insert Stainless steel - cm 15,5 H	Filter 0,28 mm
WE 03 01	Filter insert Stainless steel - cm 15,5 H	Filter 0,44 mm
WA 03 01	Stainless steel lifting handle - Standard length cm 30	
WA 03 02	Stainless steel lifting handle Stainless steel - Length cm 63	
WA 03 03	Stainless steel lifting handle Stainless steel - Length cm 100	
WS 20 01	Demonstration model	
BE 03 02	Blind insert made of Stainless steel	
WV 10 10	Additional extension tube length cm 50	
VS 03 01	Filter insert mesh size 1,6 mm	
WH 03 03	Stainless-steel wall-mounting bracket for vertical wall installation	
WH 04 00	Support wall bracket in stainless steel for concrete tanks	

VORTEX fine filter with spirit level (up-to 500 m²)

Vortex fine filter with spirit level for quick, correct installation of the WFF 150 filter.

Filters can be installed perfectly upright with the help of the integrated spirit level. It has a diameter of 11 mm (0.43 in.) and an accuracy of 0.2 degrees.



Code	Description	Filter mm
WF 10 06	Filter with extension tube WITH SPIRIT LEVEL	0,28
WF 10 07	Filter with extension tube WITH SPIRIT LEVEL	0,44
WF 10 04	Filter without extension tube WITH SPIRIT LEVEL	0,28
WF 10 05	Filter without extension tube WITH SPIRIT LEVEL	0,44

VORTEX WFF 300

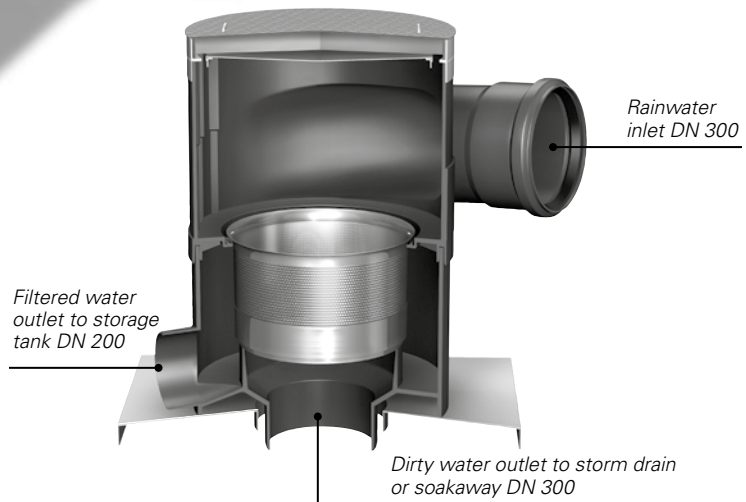


Filter with fine filter (up-to 3000 m²)



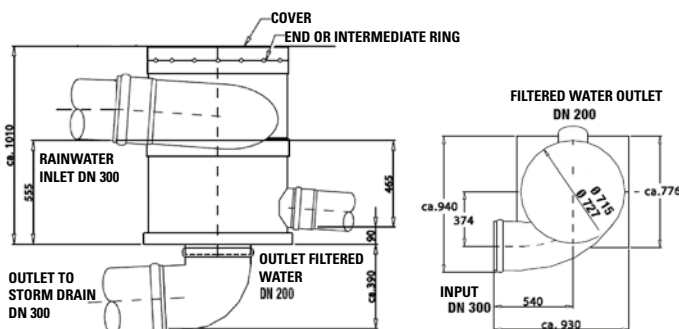
Description

Rainwater filter for installation underground or in the open air (e.g. for industrial applications). Vehicle-duty capacity tested to German standard ATV: Vehicle-duty capacity up to 60 t depending on cover version. Polypropylene housing (P.P.). Stainless steel filter insert. Filter mesh size 0.38 mm (0.015 in.). Consists of housing, plastic or steel cover, low maintenance filter insert, baseplate and 50 cm lifting handle. Drainage safety according to DIN EN 12056 / EN 752, complies with DIN 1989.

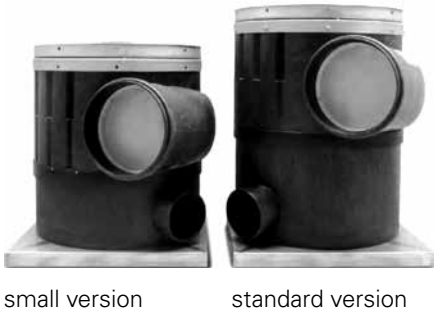


Advantages

- Guarantees safe drainage
- Separates/filters out all dirt particles
- Oxygen enrichment by vortex action
- Low maintenance requirements
- Excellent water yield

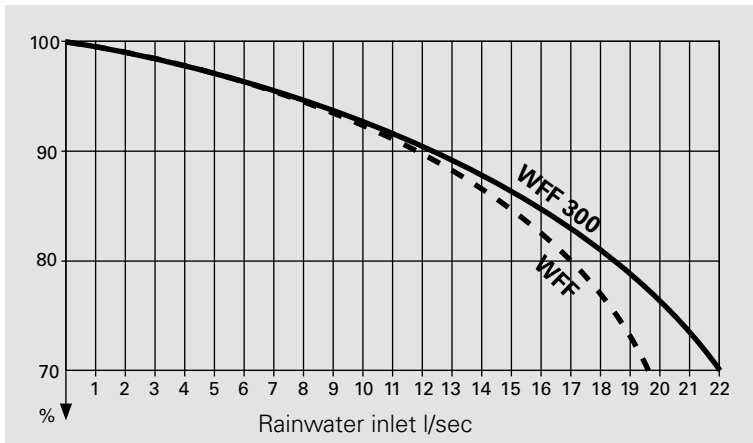
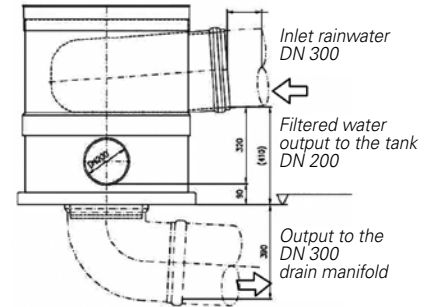


Code	Description
WF 30 11	Filter VORTEX (INOX up-to 12t)
WF 30 01	Filter VORTEX (INOX up-to 60t)
WF 30 12	Filter VORTEX aluminium cover
WF 30 21	Small filter VORTEX (INOX up-to 12t)
WF 30 23	Small filter VORTEX (INOX up-to 60t)
WF 30 22	Filtro piccolo VORTEX aluminium cover



Filter Vortex WFF 300 small version

The difference in elevation between the rainwater inlet and outlet is only 800 mm, i.e. 145 mm less than the standard WFF 300 model. The short version of the WFF 300 is available with two different cover designs.



Spare parts and accessories

Code	Description	
WE 03 07	Filter insert in stainless steel (dim. 0,38 mm)	
WA 03 05	Handle for lifting Inox - Length 50 cm - basic supply	
WF 40 01	Non-slip steel cover	un-to 60 t
RS 10 31	Aluminum cover for pedestrian crossing	
WS 30 01	Demonstration model	
WA 03 07	Lifting handle - Length 50 cm	
WA 03 09	Lifting handle - Length 100 cm	
WV 10 30	Additional extension length 140 cm	
RS 10 20	Intermediate ring	
RA 10 20	Final ring	
VS 03 10	Drain collector	
BE 03 06	Blind insert INOX	

