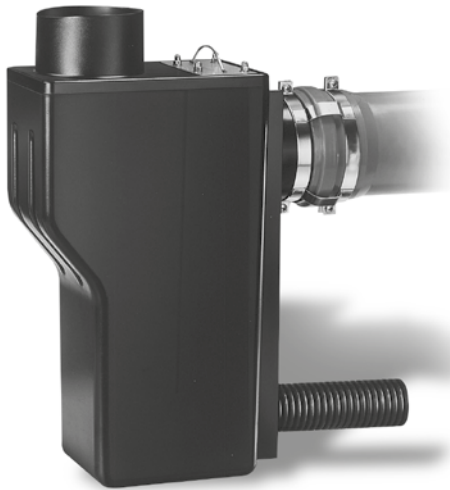


MULTISIPHON

Multi-functional overflow for rainwater storage tank



Description

Made of impact-resistant ABS plastic. For connection to the tank overflow (DN 100).
Surface debris removed by skimming effect.
Prevents storm drain odours from reaching the storage tank.
Brace pipe prevents tilting or tipping. Large siphon volume 6 l

Features

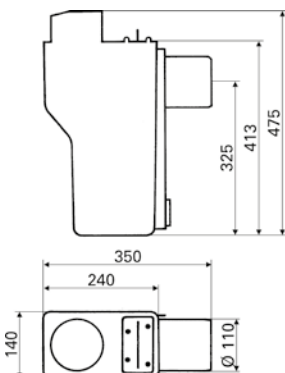
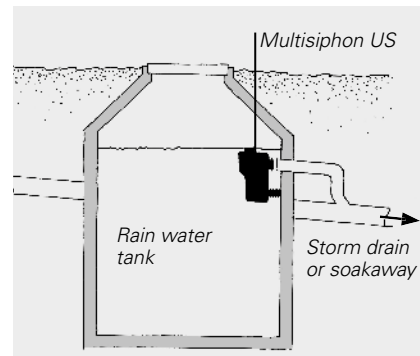
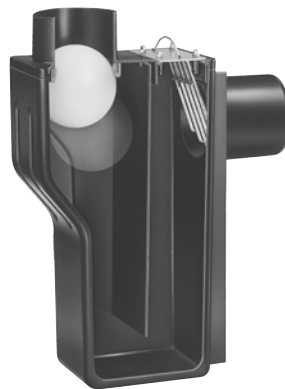
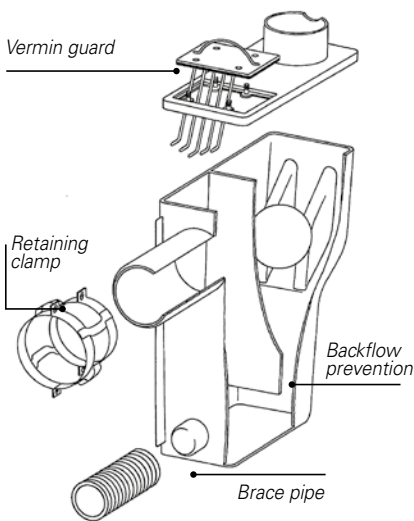
- Odour seal
- Vermin guard
- Backflow prevention device
- Overflow with skim effect
- Gas barrier

Available in different versions:

- With or without drain backflow prevention
- with or without vermin guard

The version with integrated drain backflow prevention is delivered with a retaining clamp for connection to a DN 100 pipe.

The passive vermin guard is made of stainless steel and is easy to remove for maintenance.



Code	Description
US 10 04	Multisiphon with drain backflow prevention without vermin guard
US 10 02	Multisiphon with drain backflow prevention with vermin guard
US 10 05	Multisiphon without drain backflow prevention without vermin guard
US 10 03	Multisiphon without drain backflow prevention with vermin guard
US 10 10	Stainless-steel retaining clamp for connection to a DN 100 pipe